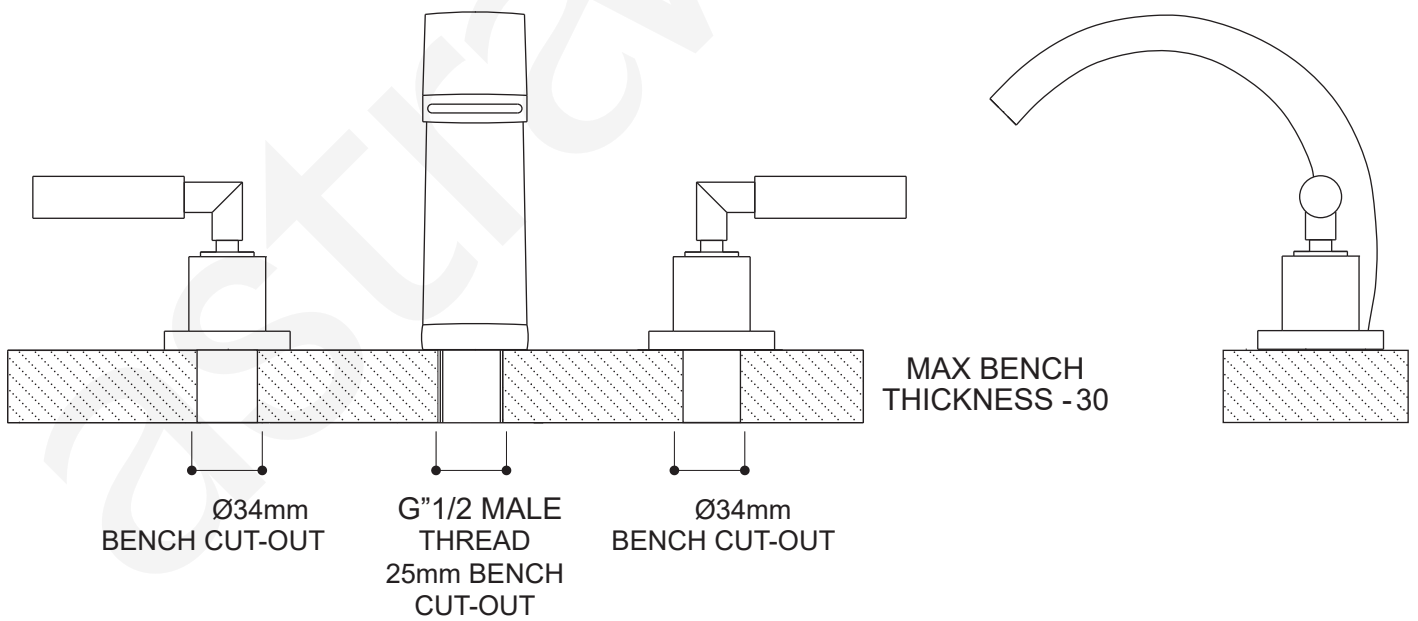
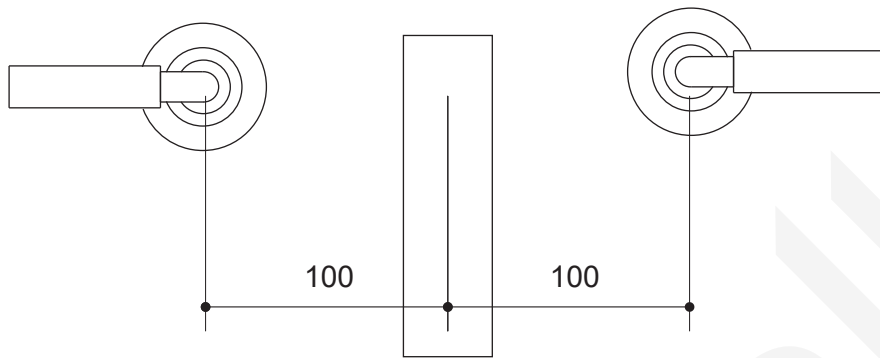


A61.00.67.LH
BASIN SET



A61.00.67.LH

BASIN SET

